

8

7

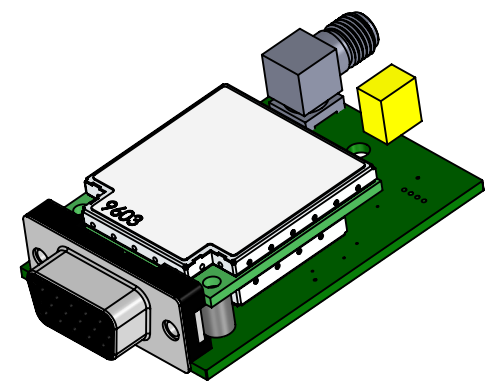
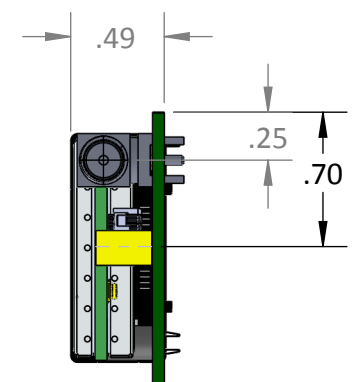
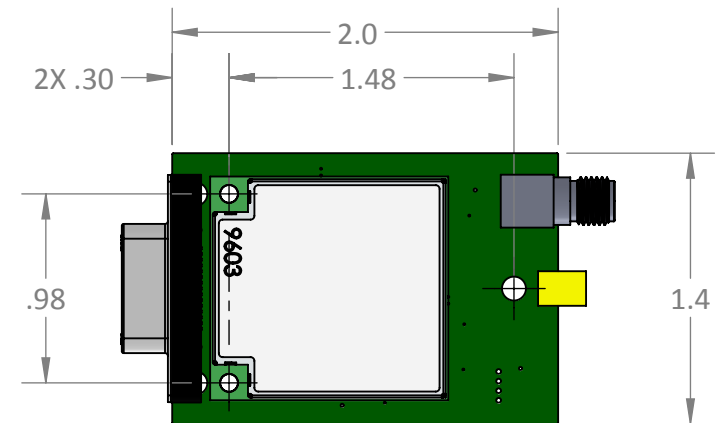
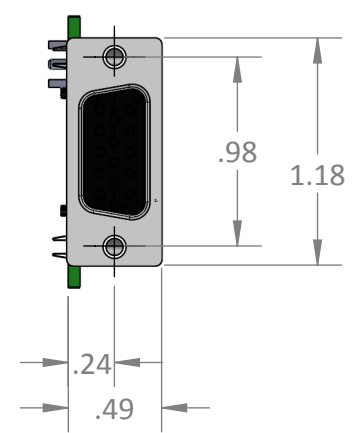
6

5

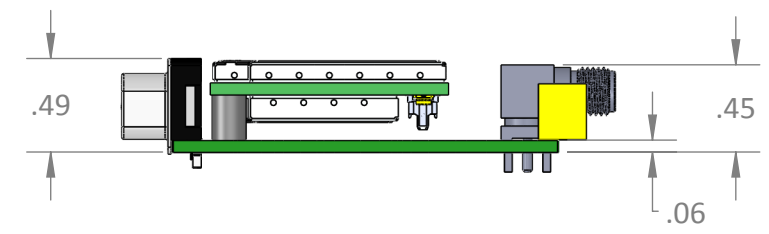
4

REVISIONS				
REV.	ZONE	DESCRIPTION	DATE	APPVD.
A	-	ENGINEERING RELEASE	04MAR2016	AW

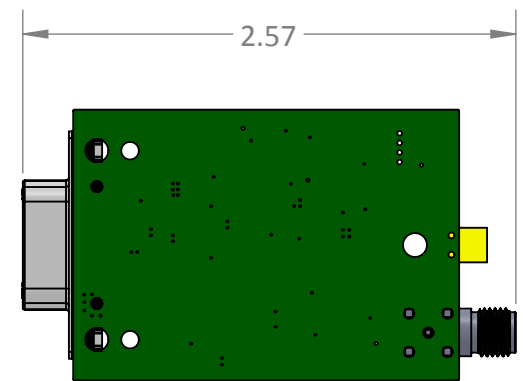
D



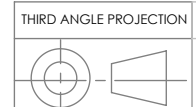
C



B



A



THIS DOCUMENT CONTAINS INFORMATION PROPRIETARY TO AND IS THE PROPERTY OF SATELLIGENT OR IS UNDER A CONFIDENTIALITY AGREEMENT BETWEEN SATELLIGENT AND THIRD PARTIES. THE RECIPIENT OF THIS DOCUMENT, BY RETENTION AND USE, AGREES TO HOLD THIS DOCUMENT AND ITS CONTENT, IN CONFIDENCE. THIS DOCUMENT SHALL NOT BE REPRODUCED OR REPLICATED IN WHOLE OR IN PART, BY ANY MEANS, NOR SHALL IT BE TRANSFERRED OR COMMUNICATED TO ANY THIRD PARTY WITHOUT THE WRITTEN CONSENT OF SATELLIGENT UPON REQUEST. THIS PROPRIETARY INFORMATION NOTICE IS AN INTEGRAL PART OF THIS DOCUMENT AND SHALL NOT BE REMOVED OR ALTERED.

**UNLESS OTHERWISE SPECIFIED:**  
 LINEAR DIMENSIONS UP TO 18:  
 2 PLACES ±.020  
 3 PLACES ±.010  
 LINEAR DIMENSIONS OVER 18:  
 2 PLACES ±.030  
 3 PLACES ±.020  
 HOLES UP TO Ø.500 ±.005  
 HOLES OVER Ø.500 LINEAR DIM. APPLY  
 ANGULAR DIMENSIONS ±0.5°  
 MACHINE FINISH  $\sqrt{125}$

FINISH: N/A		MATERIAL: N/A	
DRAWN	A.SAULNIER	DATE	01MAR2016
CHECKED			
ENG APPR.			
MFG APPR.			
Q.A.			



<b>SATELLIGENT</b>		
<b>TITLE:</b> SBD WARRIOR GENERAL ARRANGEMENT		
SIZE <b>B</b>	DWG. NO. PCB-1001	REV <b>A</b>
SCALE: 1:1	WEIGHT: 0.02LBS	SHEET 1 OF 1

8

7

6

5

4

3

2

1