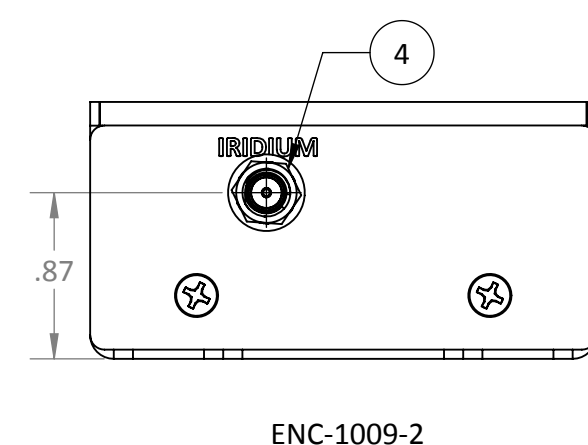
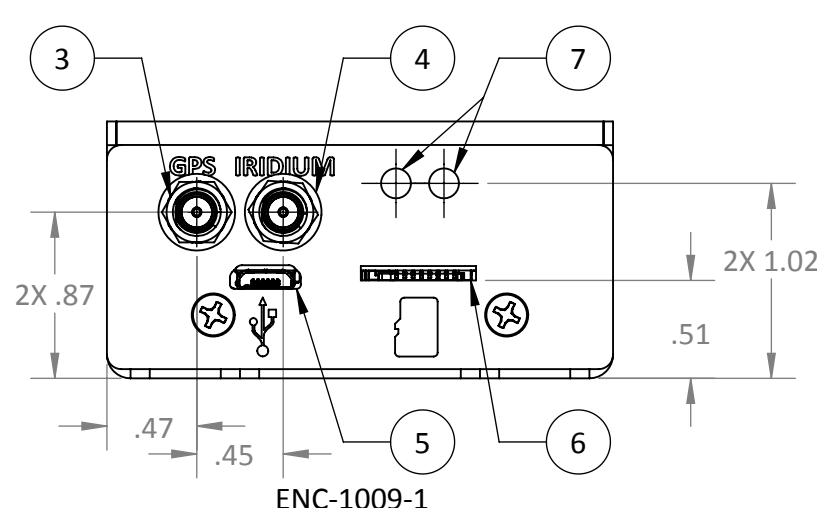
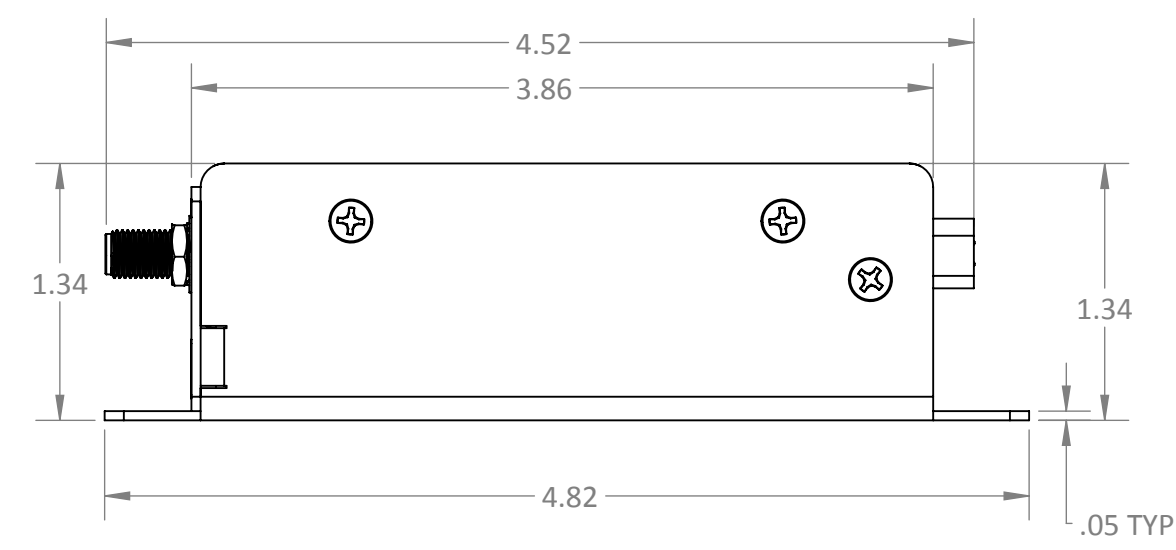
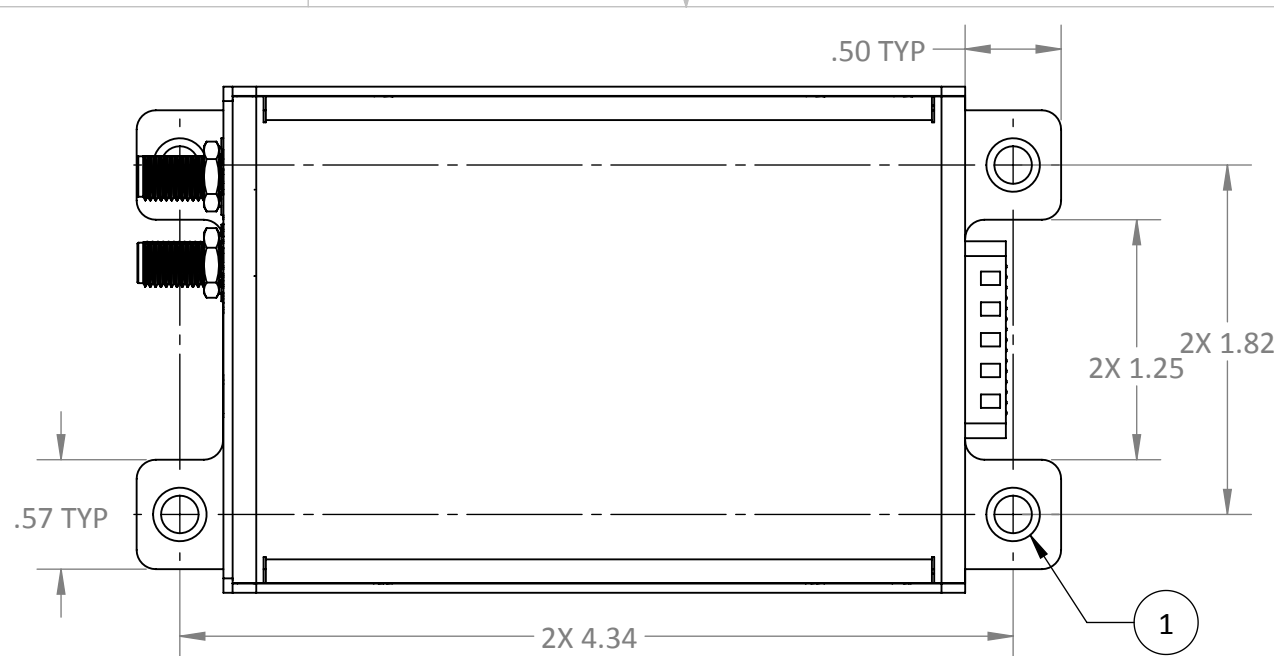


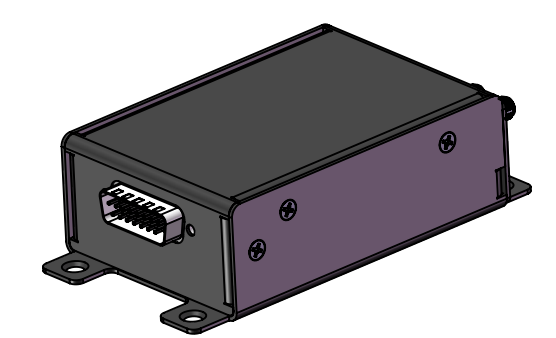
8 7 6 5 4 3 2 1

D  
C  
B  
A

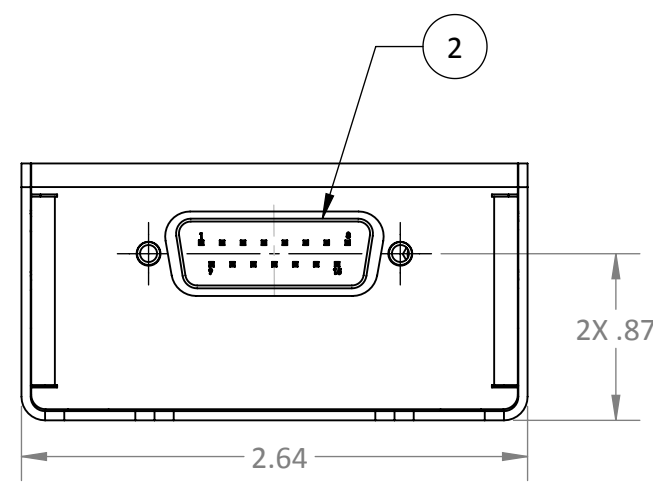
A



REVISIONS				
REV.	ZONE	DESCRIPTION	DATE	APPVD.
A	-	ENGINEERING RELEASE	01FEB2016	AW

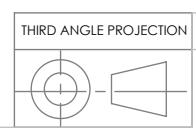


SCALE 1 : 2



ITEM NO.	QTY	U/M	PART NUMBER	DESCRIPTION
7	2	EA	N/A	STATUS LED'S
6	1	EA	N/A	MICRO SD MEMORY CARD SLOT
5	1	EA	N/A	MICRO USB CONNECTION
4	1	EA	N/A	IRIDIUM SMA CONNECTION
3	1	EA	N/A	GPS SMA CONNECTION
2	1	EA	N/A	DB15 DATA CONNECTION
1	4	EA	N/A	COUTERSINK FOR #4 MACHINE SCREW, UNTHREADED

FINISH: N/A		MATERIAL: N/A	
DRAWN	A.SAULNIER	DATE	01FEB2016
CHECKED		<b>SATELLIGENT</b> TITLE: <b>LIMITLESS GENERAL ARRANGEMENT</b>	
ENG APPR.			
MFG APPR.			
Q.A.			
		SIZE	DWG. NO.
		<b>B</b>	<b>ENC-1011</b>
SCALE: 1:1		WEIGHT: 0.225LBS	SHEET 1 OF 1



**UNLESS OTHERWISE SPECIFIED:**

LINEAR DIMENSIONS UP TO 18:  
2 PLACES ±.020  
3 PLACES ±.010

LINEAR DIMENSIONS OVER 18:  
2 PLACES ±.030  
3 PLACES ±.020

HOLES UP TO Ø .500 ±.005  
HOLES OVER Ø .500 LINEAR DIM. APPLY

ANGULAR DIMENSIONS ±0.5°

MACHINE FINISH  $\sqrt{125}$

THIS DOCUMENT CONTAINS INFORMATION PROPRIETARY TO AND IS THE PROPERTY OF SATELLIGENT OR IS UNDER A CONFIDENTIALITY AGREEMENT BETWEEN SATELLIGENT AND THIRD PARTIES. THE RECIPIENT OF THIS DOCUMENT, BY RETENTION AND USE, AGREES TO HOLD THIS DOCUMENT AND ITS CONTENT, IN CONFIDENCE. THIS DOCUMENT SHALL NOT BE REPRODUCED OR REPLICATED IN WHOLE OR IN PART, BY ANY MEANS, NOR SHALL IT BE TRANSFERRED OR COMMUNICATED TO ANY THIRD PARTY WITHOUT THE WRITTEN CONSENT OF SATELLIGENT UPON REQUEST. THIS PROPRIETARY INFORMATION NOTICE IS AN INTEGRAL PART OF THIS DOCUMENT AND SHALL NOT BE REMOVED OR ALTERED.

8 7 6 5 4 3 2 1